

C-Series Padlocks

1K11

Battleship



Application:

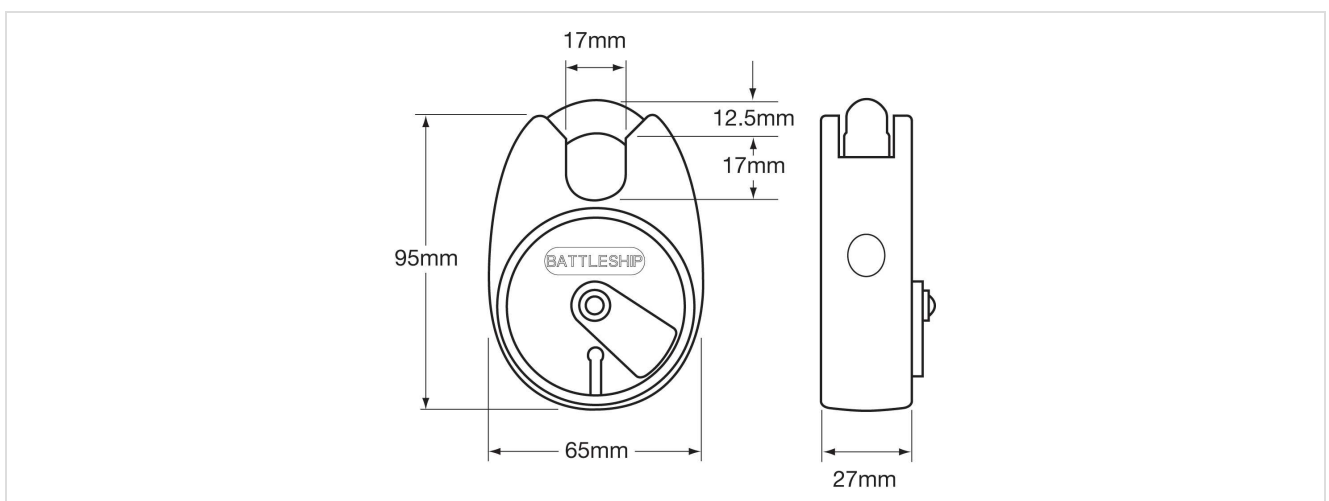
- Close shackle tough padlock for use on security applications

Specification:

- 6 lever mechanism, key to lock, key to unlock
- Non-key retaining
- Hardened steel unsprung shackle
- Keyed to differ supplied with 3 keys
- Please specify number of keys required for keyed alike or master key product
- Anti Saw
- Force Resistant
- Anti Pick
- Torque Resistant
- Shackle Type - Close
- Shackle Diameter - 12.5mm
- Shackle Clearance - 17mm
- Shackle Material: Hardened Steel
- Locking Mechanism - Key
- Key Blanks:
 - B-K198-M
 - B-K198-S
- Cut Keys:
 - B-1K11-MK Master Key
 - B-1K11-SK Servant Key
 - B-1K11-STD Standard Key



Technical Design:



C-Series Padlocks

1K11

Battleship



ASSA ABLOY

Variants:

Code	Description
B-1K11	BATTLESHIP PADLOCK
BP-1K11-0K	BATTLE SHIP PADLOCK
BP-1K11	BATTLESHIP PADLOCK TO PASS
BM-1K11-0K	BATTLESHIP PADLOCK (ENSUITE)
B-1K11-STD	CUT KEY (STANDARD)
B-K198-S	KEY BLANK 1K11